

Guide rollers FR
Product range

TEMCO

Guide Rollers FR

Types, sizes, surfaces

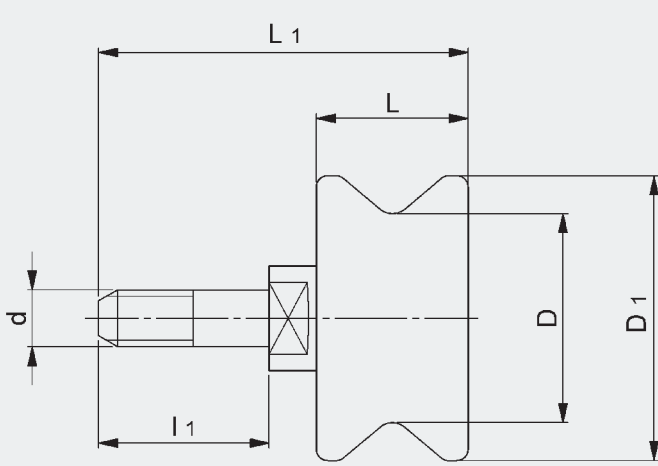


Smooth running

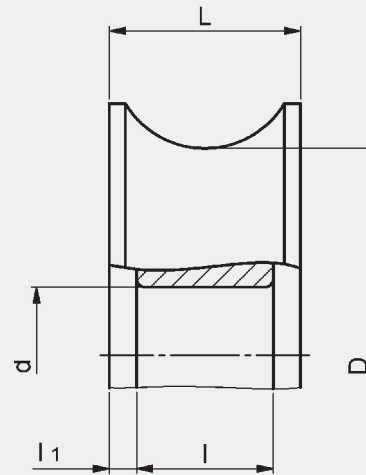
Guide Rollers FR

Figures and Overview

Product figures and overview FR series



Mounting type 1



Mounting type 2

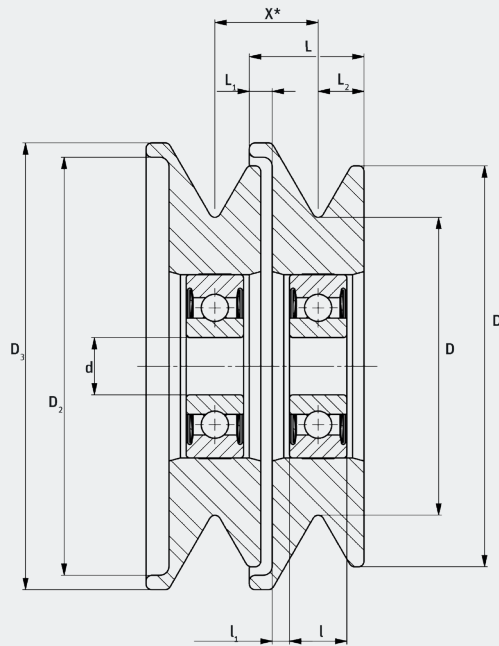
Type	Max. yarn speed [m/min]	Max. yarn temp. [°C]	Max. radial load [N]	Mounting type	Dimensions [mm]				Mounting specification d x l ₁ [mm]	Surface	Groove (distance)	
					D (Ø)	L	D ₁	L ₁				
FR1108-00	800	70	45	1	11	8	15	23	M3x9	Chrom	1	
FR1507-01	1000	70	55	2	15.2	7.0			5	Ø5x1	Steel	1
FR2016-02 ¹	630	70	14	1	20.0	16.0	24	31.00	Ø11x16	HC	4 (3)	
FR2330 ¹	600	70	120	1	23.0	30.0	41	55.85	M8x16	Ceramic	1	
FR2330-01 ¹	600	70	120	1	23.0	30.0	41	61.70	M5x25	Ceramic	1	
FR3530-02	4400	70	45	1	35.0	30.0	55	70.50	Ø8x25	Ceramic	2 (8)	
FR4018-01	5000	70	45	1	40.0	18.0	59	70.50	Ø8x25	Ceramic	1	
FR4076-00	3000	100	100	1	40.0	76.0	54	103.0	Ø12,5x25,5	Steal	21	

¹ Acceptance only with minimum quantity

Product Range

Overview

Product figures and overview FR26



Type	Max. yarn speed ² [m/min]	Max. yarn temp. ² [°C]	Max. radial load ² [N]	Dimensions [mm]													Bearing	Surface	Groove
				D	D ₁	D ₂	D ₃	d	L	L ₁	L ₂	l	I ₁	X					
FR2607-00	700	70	20	26	32,5	32,5	32,5	5	7		2	5	1	3	easy-running	PC 915S	2		
FR2607-01	700	70	20	26	32,5	32,5	32,5	5	7		3,5	5	1		easy-running	PC 915S	1		
FR2608-01 ¹	700	70	60	26.0	35.0	36.5	39.0	5.0	8.0	2.0	3.0	5.0	0.5	7.0	Standard	Anodized black	1		
FR2608-02	700	70	60	26.0	35.0	36.5	39.0	5.0	8.0	2.0	3.0	5.0	0.5	7.0	Standard	Anodized blue	1		
FR2608-03	700	70	60	26.0	35.0	36.5	39.0	5.0	8.0	2.0	3.0	5.0	0.5	7.0	Standard	Anodized grey	1		
FR2608-04	700	70	60	26.0	35.0	36.5	39.0	5.0	8.0	2.0	3.0	5.0	0.5	7.0	Standard	Anodized red	1		
FR2608-05	700	70	20	26.0	35.0	36.5	39.0	5.0	8.0	2.0	3.0	5.0	0.5	7.0	easy-running	Hardcoat	1		
FR2610-00 ¹	700	70	60	26.0	35.0	36.5	39.0	5.0	10.0	2.0	4.0	5.0	1.5	9.0	Standard	Hardcoat	1		
FR2610-01	700	70	60	26.0	35.0	36.5	39.0	5.0	10.0	2.0	4.0	5.0	1.5	9.0	Standard	PC 915S	1		
FR2610-02 ¹	700	70	20	26.0	35.0	36.5	39.0	5.0	10.0	2.0	4.0	5.0	1.5	9.0	easy-running	Hardcoat	1		
FR2614-01 ¹	700	70	60	26.0	35.0	36.5	39.0	5.0	14.0	8.0	3.0	5.0	0.5	12.8	Standard	Anodized black	1		
FR2614-02	700	70	60	26.0	35.0	36.5	39.0	5.0	14.0	8.0	3.0	5.0	0.5	12.8	Standard	Anodized blue	1		
FR2614-03	700	70	60	26.0	35.0	36.5	39.0	5.0	14.0	8.0	3.0	5.0	0.5	12.8	Standard	Anodized grey	1		
FR2614-04	700	70	60	26.0	35.0	36.5	39.0	5.0	14.0	8.0	3.0	5.0	0.5	12.8	Standard	Anodized red	1		
FR2614-05 ¹	700	70	20	26.0	35.0	36.5	39.0	5.0	14.0	6.0	4.0	5.0	1.5	13.0	easy-running	Hardcoat	1		

¹ Acceptance only with minimum quantity

² Minimum yarn distance [mm]



Rieter Components Germany GmbH

Temco
Fuldaer Str. 19
97762 Hammelburg
T +49 9732 87 0
info@temco.de

www.temco.de

The data and illustrations in this brochure and on the corresponding data carrier refer to the date of printing. Temco reserves the right to make any necessary changes at any time and without special notice. Temco systems and Temco innovations are protected by patents.

3507-v1 en 2205